



 **KleenLine**<sup>®</sup> UNIVERSAL PAPER ASSORTMENT



## What is KleenLine®?

KleenLine® is an exclusive brand offered by BradyPlus for the facility care market. Our KleenLine® sanitary paper assortment offers three distinct tiers.



Premium facility care products for the best-in-class experience



Quality facility care products delivering best value for everyday use



Good facility care products at a competitive price

## Hardwound Roll Towels

ITEM #	DESCRIPTION	SIZE	CASE	SUSTAINABLE CRITERIA
853795	KleenLine® Select High Capacity White Hardwound Roll Towel	6 x 1000'	6/cs	UL ECOLOGO Certified
850088	KleenLine® Essentials 2800 White Hardwound Roll	6 x 800'	6/cs	FSC Certified
855209	KleenLine® Essential Kraft Hardwound Roll Towel	6 x 800'	6/cs	Green Seal Certified
854179	KleenLine® Essential White Centerpull Towel	6 x 445'	6/cs	FSC Certified



## Corresponding Dispensers

### KleenLine® Hands-Free Universal Roll Towel Dispenser—Black



#### #850185

- Stub roll transfer feature to reduce waste
- Manual override dial to ensure user access to towel
- Pilferage control lock
- Run out indicator and clear viewing areas on top and sides for quick, easy visual check for need for refilling
- Color: Translucent / Black

#### Refill Product Specs:

- Core: 1.5" – 2", Width: 7.75" – 8"
- Roll Diameter: Up to 8"

### KleenLine® Centerpull Dispenser



#### #850190

- Easy to load
- Centerpull carousel has three different size apertures to adjust for best performance.
- Color: Translucent / Black

#### Refill Product Specs:

- Width 10", Height 12.4", Depth 10.12"

## Multifold Towels



ITEM #	DESCRIPTION	SIZE	CASE	SUSTAINABLE CRITERIA
850232	KleenLine® Select 2001 Premium White Multifold Towel	9.2" x 9.4" towel	250/sleeve 16 sleeves/cs	UL ECOLOGO Certified



853796	KleenLine® White Multifold Towel	9.2" x 9.4" towel	250/sleeve 16 sleeves/cs	UL ECOLOGO Certified
--------	----------------------------------	-------------------	-----------------------------	----------------------



856350	KleenLine® Essentials White Multifold Towel	9.05" x 9.05" towel	250/sleeve 16 sleeves/cs	100% recycled content
--------	---	---------------------	-----------------------------	-----------------------



850167	KleenLine® Essentials 2022 Kraft Multifold Towel	9.25" x 9.5" towel	250/sleeve 16 sleeves/cs	Green Seal Certified
--------	--	--------------------	-----------------------------	----------------------

## Corresponding Dispenser

### KleenLine® Universal Multifold Towel Dispenser—Black



#### #850186

- Easy to load, easy to dispense towel
- Controlled consumption, single towel delivery for cost effectiveness
- Pilferage control lock
- Paper control ribs to ensure ease of dispensing
- Color: Translucent / Black

#### Refill Product Specs:

- Suitable for both multifold and C-Fold towels
- Maximum towel width: 10.125"



## Jumbo Roll Bath Tissues



ITEM #	DESCRIPTION	SIZE	CASE	SUSTAINABLE CRITERIA
851308	KleenLine® Essentials Jumbo Roll Bath Tissue, 2ply	1000 ft per roll	12 rolls per case	FSC Certified
855608	KleenLine® Essentials 1121 Jumbo Roll Bath Tissue, 1ply	2000 ft per roll	12 rolls per case	FSC Certified
857042	KleenLine® Essentials Jumbo Roll Bath Tissue, 2ply	700 ft per roll	12 rolls per case	FSC Certified

### Corresponding Dispensers

#### KleenLine® Universal Jumbo Double Roll Bath Tissue Dispenser



##### #850188

- Holds two 9 in. diameter jumbo bath tissue rolls
- Serrated edges (width) for ease of use and consumption control
- Pilferage control lock
- Adaptable core size mandrel (2" standard, 3" special order)
- Color: Translucent / Black

##### Refill Product Specs:

- Width: 4" maximum
- Roll Diameter: up to 9"

#### KleenLine® Universal Jumbo Single Roll Bath Tissue Dispenser








##### #850187

- Holds one 9' diameter jumbo bath tissue roll
- Dual serrated edges (depth and width) for ease of use and consumption control
- Pilferage control lock
- Adaptable core size mandrel (2" standard, 3" special order)
- Color: Translucent / Black



##### Refill Product Specs:

- Width: 4" maximum
- Roll Diameter: up to 9"

## Standard Roll Bath Tissues

ITEM #	DESCRIPTION	SIZE	CASE	SUSTAINABLE CRITERIA
 850172	KleenLine® Select Premium Bath Tissue, 2 ply	4.45" x 4" sheet size	60/420	FSC Certified
 851106	KleenLine® 1945 Bath Tissue, 2 ply	4.1" x 3.5" sheet size	80/500	FSC Certified
 851167	KleenLine® 1957 Bath Tissue, 2 ply	4.1" x 3.5" sheet size	96/500	FSC Certified
 850171	KleenLine® Essentials 1196 Bath Tissue, 1ply	4.1" x 3.5" sheet size	96/1000	FSC Certified
 850173	KleenLine® Essentials 1296 Bath Tissue , 2 ply	4" x 3" sheet size	96/500	Green Seal Certified

## Facial Tissues

ITEM #	DESCRIPTION	SIZE	CASE	SUSTAINABLE CRITERIA
 855606	KleenLine® Select Facial Tissue, 2 ply, Cube	8.2" x 8" sheet	36/96	FSC Certified
 855607	KleenLine® Select Facial Tissue, 2 ply, Flat	8.2" x 8" sheet	30/100	FSC Certified

## Small Core Bath Tissue



ITEM #	DESCRIPTION	SIZE	CASE	SUSTAINABLE CRITERIA
855420	KleenLine® Small Core Bath Tissue	4" x 3.8" sheet size	36/1000	55% post consumer recycled content

### Corresponding Dispenser

#### KleenLine® Universal Double Small Core



**#850189**

- Easy to load, easy to dispense bath tissue
- Holds two 6 in. diameter (maximum) bath tissue rolls
- Full roll consumption feature to minimize waste
- Higher capacity for reduced run outs and maintenance servicing
- Pilferage control lock
- Adaptable core size mandrel (1½" standard; 5/8" and coreless options are special order)

**Refill Specs:**

- 855420 KleenLine® Small Core

## Kitchen Roll Towel



ITEM #	DESCRIPTION	SIZE	CASE	SUSTAINABLE CRITERIA
855305	KleenLine® 3085 Kitchen Roll	85 sheets	30 rolls	FSC Certified

# How Do I Load My Dispenser?

BradyPLUS offers many products with sustainable profiles, including UL Ecologo, Green Seal, FSC and EPA CPG.



## UL ECOLOGO®

This product meets UL ECOLOGO's standard for sustainability for sanitary paper products (UL-175) based on environmental leadership and proven performance substantiated through lifecycle review.



## GREEN SEAL™

This product meets Green Seal's environmental standard for sanitary paper products (GS-1) based on chlorine-free processing, energy and water efficiency, and high percentage of recovered material and post-consumer recycled content.



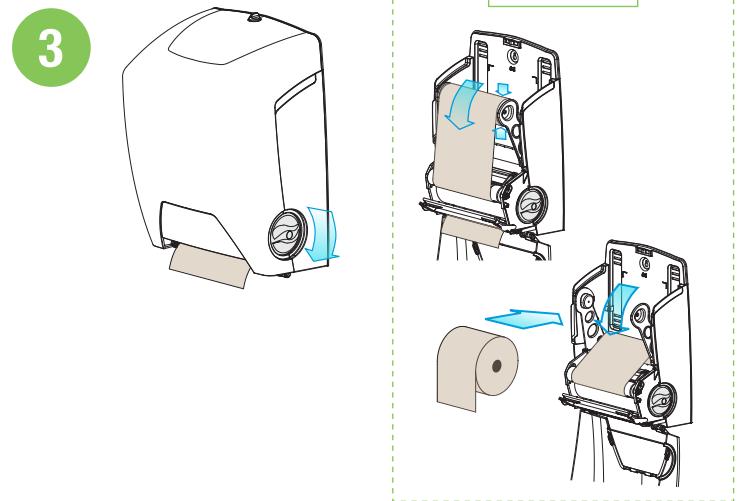
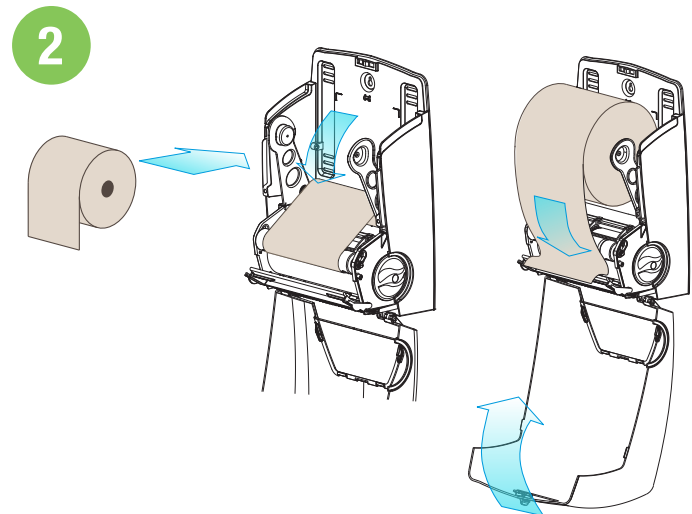
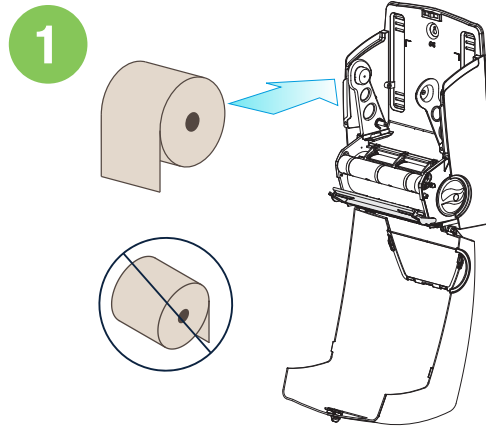
## FOREST STEWARDSHIP COUNCIL® (FSC®)

This product meets FSC chain-of-custody requirements verifying that it has been sourced from more responsibly managed forests.



## EPA COMPREHENSIVE PROCUREMENT GUIDELINES (CPG)

This product meets EPA Comprehensive Procurement Guidelines for post-consumer recycled content: paper towels (minimum of 40–60% post-consumer recycled fiber content), bath tissue (20–60% post-consumer recycled fiber), or facial tissue (10–15% post-consumer recycled fiber).



JSE-GEN-KL00029v1 0724



Exclusively available through BradyPLUS and our Regional Distribution Brands  
BradyPLUS.com + (877) 788-PLUS

© 2024 BradyPLUS