



# ICON™



## Roll Towel Dispenser

DISTRIBUTED BY



### BradyPLUS

BradyPLUS.com + (877) 788-7587





CONFIDENCE BY DESIGN

# Automatic Roll Towel Dispenser

Elevate your space with the latest advancement in reliable towel dispensing. The Kimberly-Clark Professional™ ICON™ collection offers a coordinated range of paper towel, toilet tissue, and skincare dispensers to give your facility a unified style. Thoughtfully engineered with an eye on aesthetics, the collection refines every interaction of the dispensing experience.

The quietest towel dispensing experience  
on the market today<sup>1</sup>.





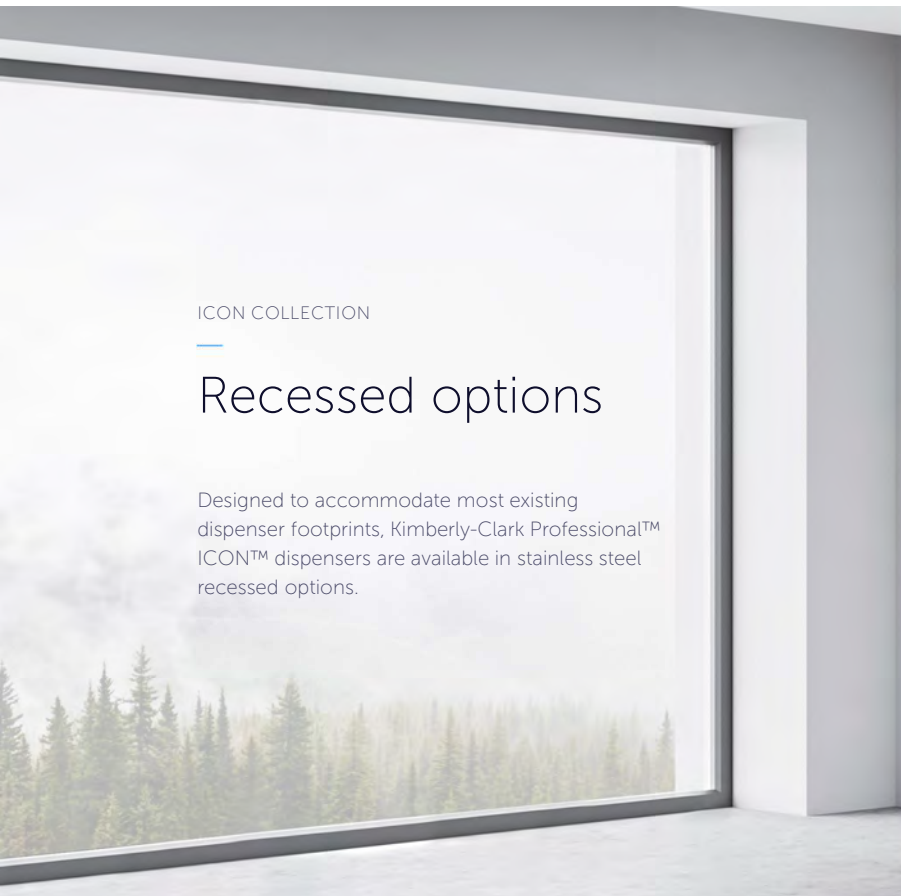
ICON™ COLLECTION

## Surface mount

Effortlessly reimagine the look and feel of your restroom.

Engineered to meet the installation needs of your unique space, Kimberly-Clark Professional™ ICON™ dispensers are designed to stand out in a crowd or seamlessly blend into the environment.

The ICON™ collection—the culmination of intuitive design and clever engineering.



ICON COLLECTION

## Recessed options

Designed to accommodate most existing dispenser footprints, Kimberly-Clark Professional™ ICON™ dispensers are available in stainless steel recessed options.





ICON™ COLLECTION

## Game-changing hygiene

The Kimberly-Clark Professional ICON™ dispenser is designed with a goal to reduce the potential of cross contamination. Taking into account every interaction, the ICON™ dispenser is a next-level hygiene experience engineered to help minimize the risk of spreading germs from every touchpoint.

94% of people surveyed responded that touchless hand towel systems were important to establishing confidence in the cleanliness and hygiene of a facility.

- Kimberly-Clark Professional, Hygiene Behavior Consumer Study, May 2020



### Touchless dispensing

Help reduce the risk of spreading germs with contactless dispensing.



### Color-coded touch-points

An intuitive color-coded system simplifies maintenance and minimizes touchpoints, for a more hygienic paper towel change-over.



### Hidden towel mode

Help minimize the chance for cross-contamination with an option to keep paper inside the dispenser until needed



REFINED TECHNOLOGY

## Elevated experience

Relying on Kimberly-Clark Professional's 150-year history in innovation, the ICON™ hand towel dispenser delivers our most technologically advanced system available today.

"4 out of 5 people rated the Kimberly-Clark Professional™ ICON™ dispenser system better than the leading competition for hand drying satisfaction."



### Streamlined dispensing

Precision detection from patented dual sensors provides effortless operation with a single motion.



### Nearly noiseless operation

With practically noiseless operation, ICON™ hand towel dispenser is 85% quieter than the leading competition.<sup>1</sup>



### Intuitive visual cues

LED lights communicate when a unit needs attention, minimizing touchpoints for an improved, more hygienic experience.



PERFORMANCE

# Unmatched reliability

The Kimberly-Clark Professional™ ICON™ dispenser utilizes direct drive technology and patented dual sensors for 99.99% jam-free dispensing with nearly noiseless operation for a truly user-centered experience.



## Comprehensive Lifetime Warranty for our ICON™ dispenser collection

Proudly offered by Kimberly-Clark Professional®



### Jam-free operation

Proven 99.99% jam-free performance to ensure paper towels are available when needed.<sup>2</sup>



### 100% product use

Minimize waste with stub roll capability that enables restocking before the roll is empty, streamlining maintenance.



### Long-lasting battery life

Get more than 150,000 dispenses on a single set of batteries in the energy efficient ICON™ hand towel dispenser.



SERVICING

## Designed to be effortless

Engineered with you in mind, every detail is refined for an unsurpassed experience, from the ergonomics to the seamless operation, redefining intuitive design.

Other dispensers are designed around paper.  
The ICON™ dispenser is designed around you.



The Kimberly-Clark Professional™ ICON™ hand towel dispenser is our best servicing experience yet.



### Flexible accessibility options

Versatile security options of keyed or keyless entry, and the choice of left or right lock location for easier access.



### Controlled opening

Sophisticated dampened hinges make changeouts effortless, with smooth, one-handed operation.



### Simplified installation

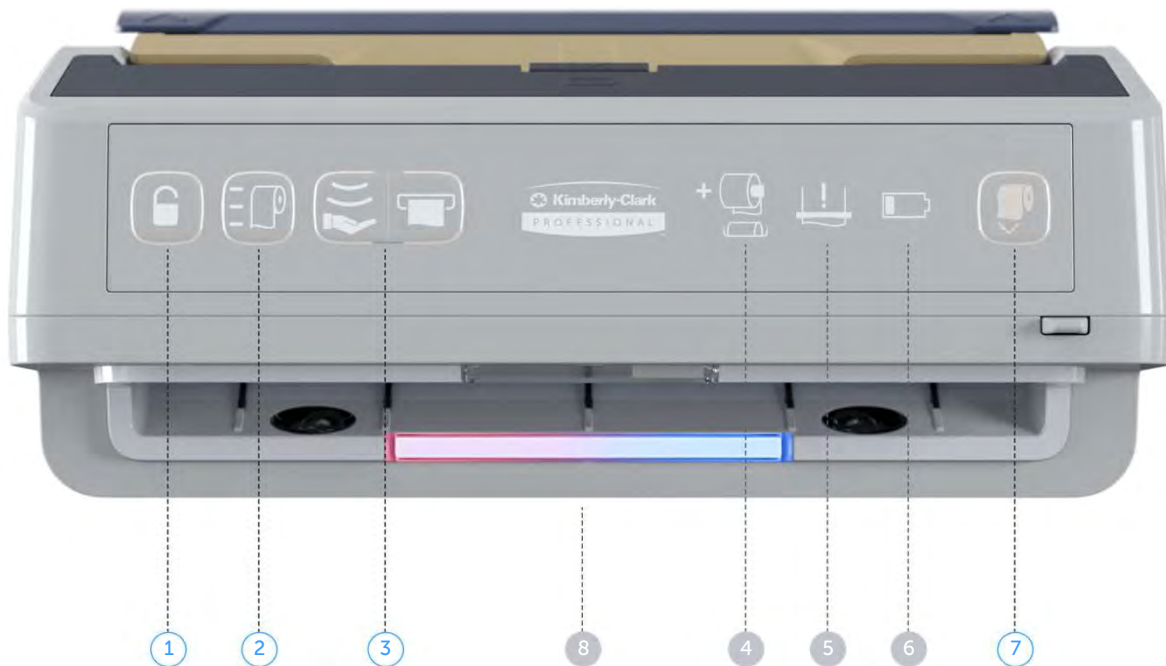
Custom engineered brackets make installation a snap with a built-in level and clip-on mounting.



REFINED MAINTENANCE

# Touch panel simplicity

The easy-to-read touch panel is designed for intuitive servicing while preventing accidental setting adjustments.



CONTROLS

- 1 Lock-out feature**  
Prevents accidental setting changes.  
Hold button for 3 seconds to unlock.
- 2 Towel length**  
Select from 3 sheet length options:  
10" (25.5cm), 12" (30.5cm) and 14" (35.5cm)
- 3 Sensor sensitivity/Hanging mode**  
Set towel in hidden or hanging mode and  
adjust sensor to 2 levels of sensitivity.
- 7 Feed paper**  
Manually feed paper with a touch of a button for  
refined reloading.

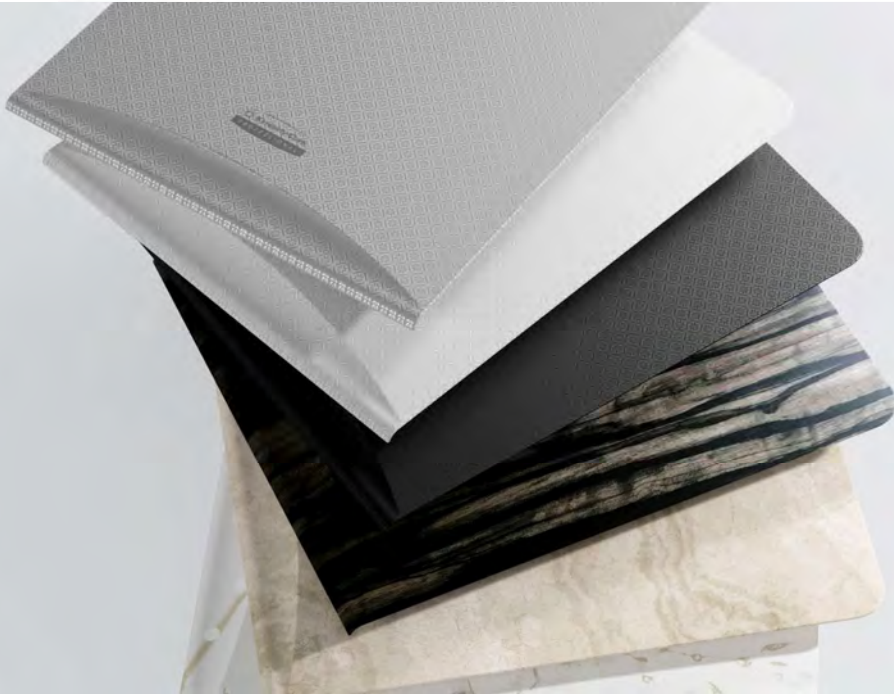
INDICATOR LIGHTS

- 4** Low paper/ No paper
- 5** Paper jam
- 6** Low battery

SERVICER ALERT LED

- 8** Blue - low paper alert  
Red - Maintenance alert





ICON™ COLLECTION

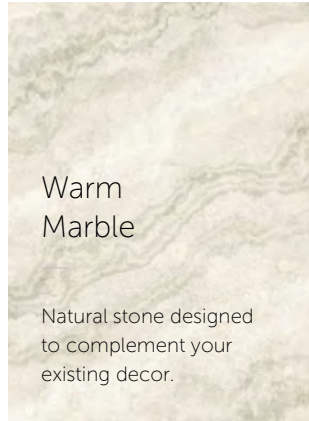
## Designer faceplates

Our first patented, interchangeable faceplate innovation. Engineered for quick and easy faceplate swapping with a secure snap-in feature. Refresh the look and feel of the restroom with 6 designer faceplate options.

ICONIC STYLE

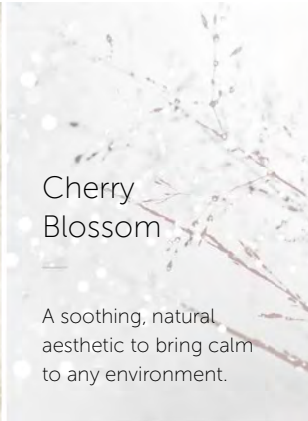
### Natural Accents

Choose from a unique selection of faceplates designed to add a natural accent to your restroom environment. Current designs include a warm marble, cherry blossom and a deep, authentic, ebony woodgrain.



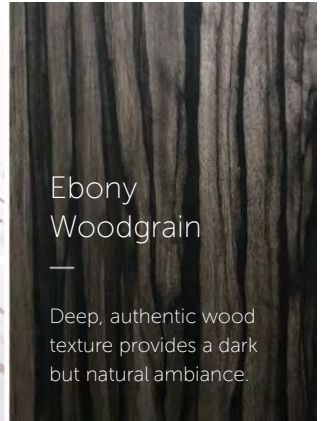
#### Warm Marble

Natural stone designed to complement your existing decor.



#### Cherry Blossom

A soothing, natural aesthetic to bring calm to any environment.



#### Ebony Woodgrain

Deep, authentic wood texture provides a dark but natural ambiance.



#### Black Mosaic

A modern, geometric pattern that adds depth and style to this multi-dimensional design.



#### Silver Mosaic

A modern take on a traditional metallic finish that provides depth and interest.



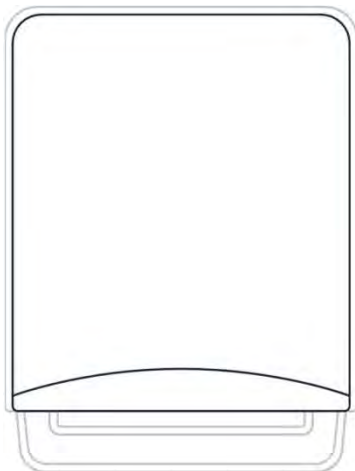
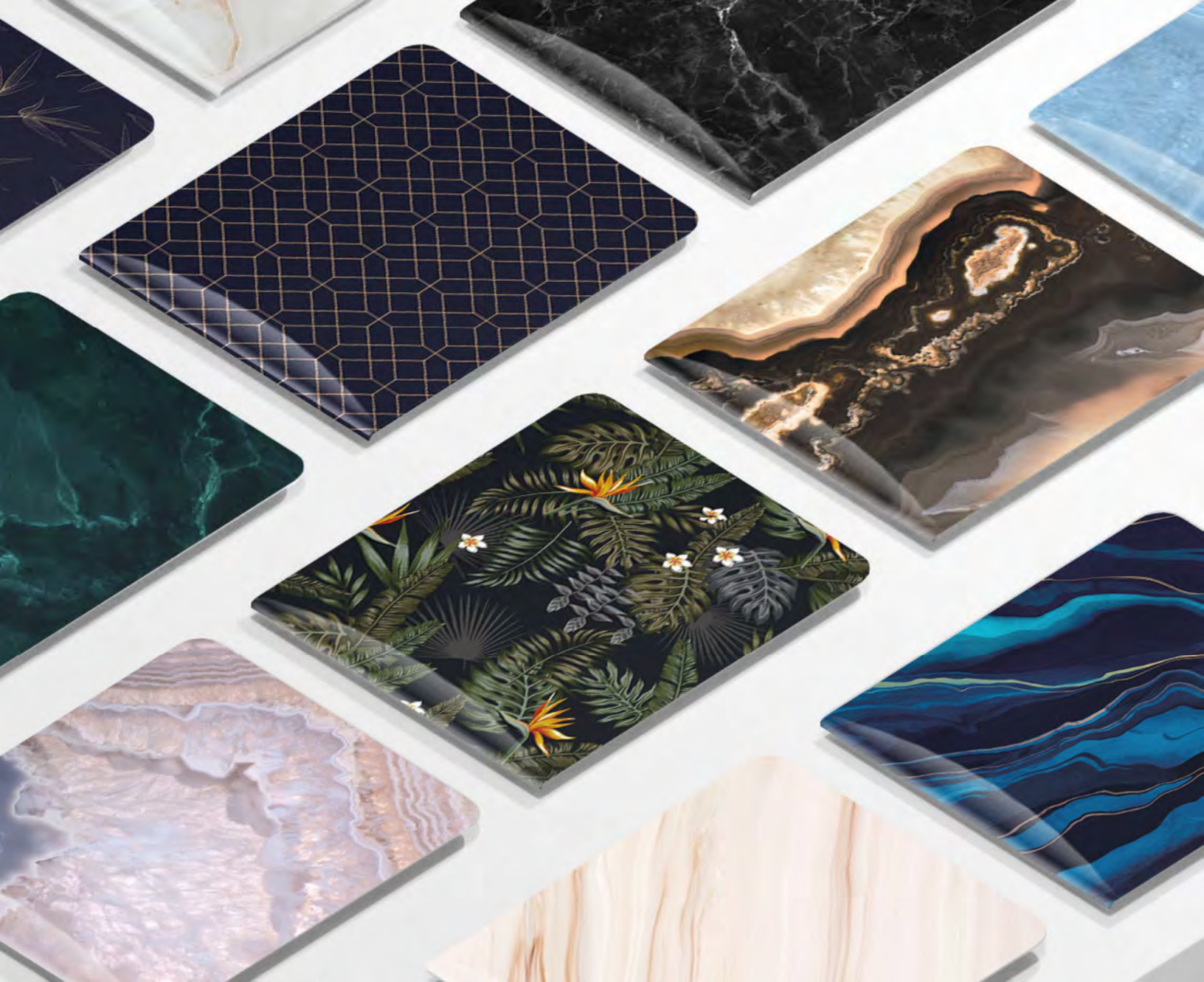
#### White Mosaic

A subtle, clean pattern that offers visual depth with a modern approach.

ICONIC STYLE

### Contemporary Classics

Our range of contemporary classic faceplates offer a practical, yet modern, take on traditional black, white and silver finishes. Subtle, geometric patterning adds depth and style to conventional color finishes.



#### CUSTOM FACEPLATES

## Endless possibilities

Envision a space for creative expression as well as unique promotional and design opportunities, and untap branding and advertising potential with an innovative messaging platform.

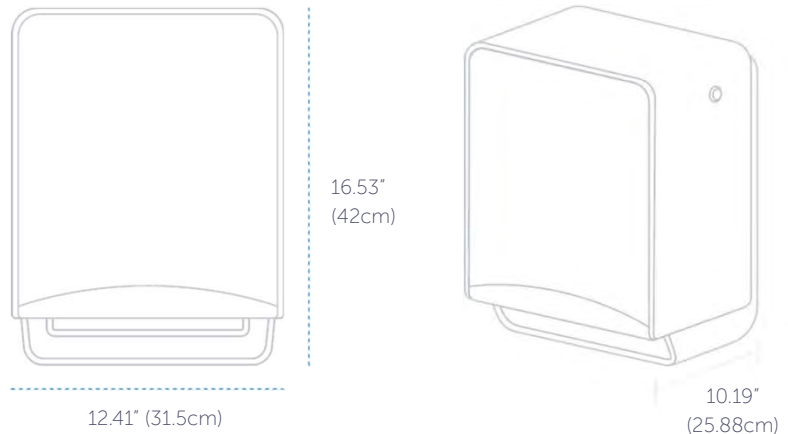


OVERVIEW

ICON™ Automatic Roll Towel Dispenser - Wall Mount

Dimensions (WxHxD)	Qty/Case
12.41" x 16.53" x 10.19" 31.5cm x 42cm, 25.88cm	1x

Lifetime Warranty †



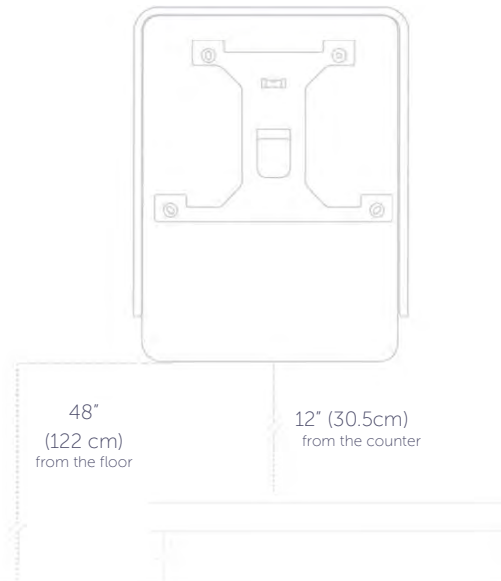
TECHNICAL SPECIFICATIONS

Suggested mounting height is 48" (122cm) from the floor or 12" (30.5cm) above a counter.

**Required clearance**  
16.53" (42cm) x 12.41" (31.5cm) flat space  
2.75" (7cm) on either side

When installed properly and used with the corresponding product, this dispenser meets ADA Standard 28 CFR Part 36, local rules may vary.

ADA Compliant \*



DISPENSER PRODUCT CODES

- Black Mosaic (58720)
- Silver Mosaic (53691)
- White Mosaic (58710)
- Ebony Woodgrain (58750)
- Cherry Blossom (58730)
- Warm Marble (58740)

To create and order custom faceplates please follow this [link](#).

PRODUCT FEATURES

- Precision detection from patented dual sensors provides effortless operation with a single motion.
- With practically noiseless operation, ICON™ hand towel dispenser is 85% quieter than the leading competition.<sup>1</sup>
- LED lights communicate when a unit needs attention, minimizing touchpoints for an improved experience.
- Proven 99.99% jam-free performance to ensure paper towels are available when needed.
- Stub roll capability enables restocking before the roll is empty, streamlining maintenance.
- Long-lasting battery life, single set of batteries can last for more than 150,000 dispenses<sup>2</sup>
- Versatile security options of keyed or keyless entry, and the choice of left or right lock location for easier access.
- Sophisticated dampened hinges make changeouts effortless, with smooth, one-handed operation.
- Color-coded system simplifies maintenance and minimizes touchpoints, for a more hygienic paper towel change-over.
- Three sheet length settings, and two sensor sensitivity settings



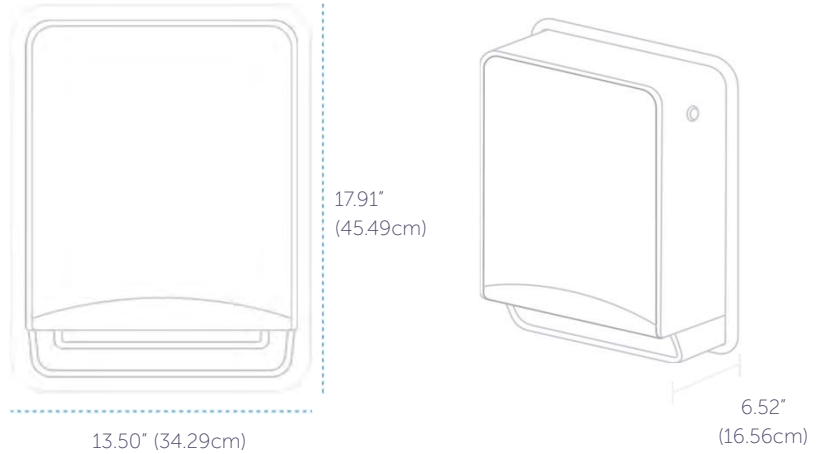
OVERVIEW

ICON™ Automatic Roll Towel Dispenser | Recessed

**Dimensions (WxHxD)**      **Qty/Case**  
 13.50" x 17.91" x 6.52"      1x  
 34.29cm x 45.49cm, 16.56cm

● Stainless Steel (53706)

Lifetime Warranty †



MOUNTING SPECIFICATIONS

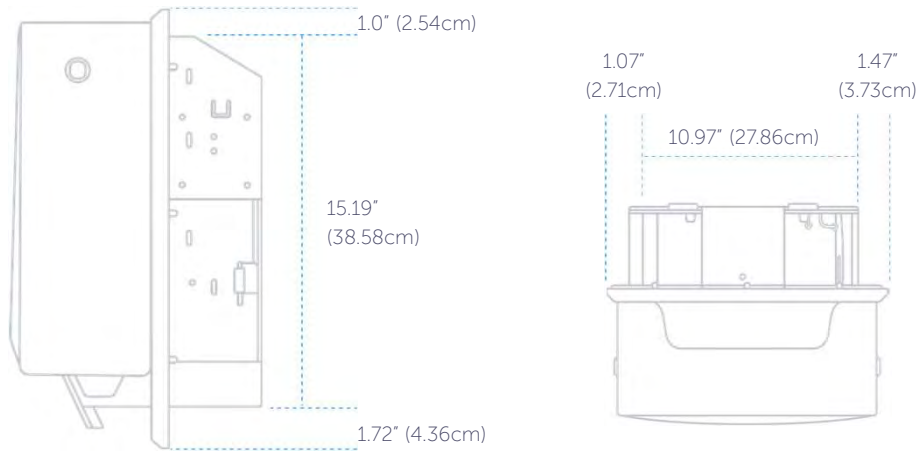
Suggested mounting height is 48" (122cm) from the floor.

When installed properly and used with the corresponding product, this dispenser meets ADA Standard 28 CFR Part 36, local rules may vary.

**Rough Wall Opening**

11" (28cm) Wide  
 15" (38cm) High  
 4" (10cm) Minimum Depth

ADA Compliant \*



PRODUCT FEATURES

- Precision detection from patented dual sensors provides effortless operation with a single motion.
- With practically noiseless operation, ICON™ hand towel dispenser is 85% quieter than the leading competition.<sup>1</sup>
- LED lights communicate when a unit needs attention, minimizing touchpoints for an improved experience.
- Proven 99.99% jam-free performance to ensure paper towels are available when needed.
- Stub roll capability enables restocking before the roll is empty, streamlining maintenance.

- Long-lasting battery life, single set of batteries can last for more than 150,000 dispenses<sup>2</sup>
- Versatile security options of keyed or keyless entry, and the choice of left or right lock location for easier access.
- Sophisticated dampened hinges make changeouts effortless, with smooth, one-handed operation.
- Color-coded system simplifies maintenance and minimizes touchpoints, for a more hygienic paper towel change-over.
- Three sheet length settings, and two sensor sensitivity settings



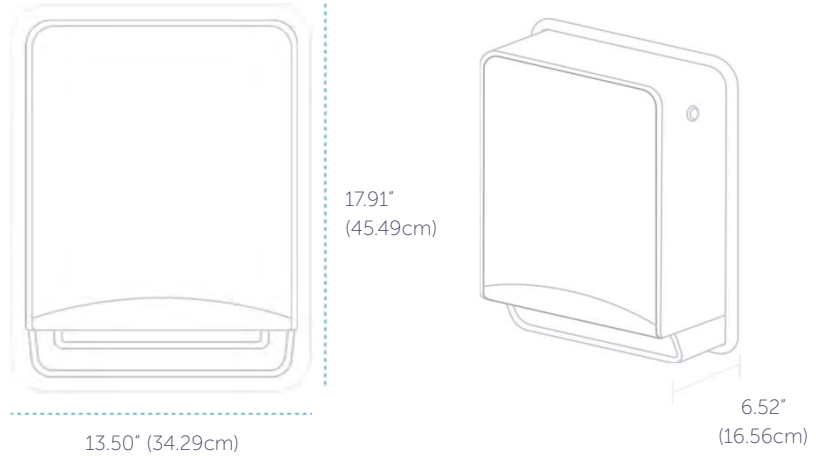
OVERVIEW

ICON™ Automatic Roll Towel Dispenser | Narrow Recessed

**Dimensions (WxHxD)**      **Qty/Case**  
 13.50" x 17.91" x 6.52"      1x  
 34.29cm x 45.49cm, 16.56cm

● Stainless Steel (53697)

Lifetime Warranty †



MOUNTING SPECIFICATIONS

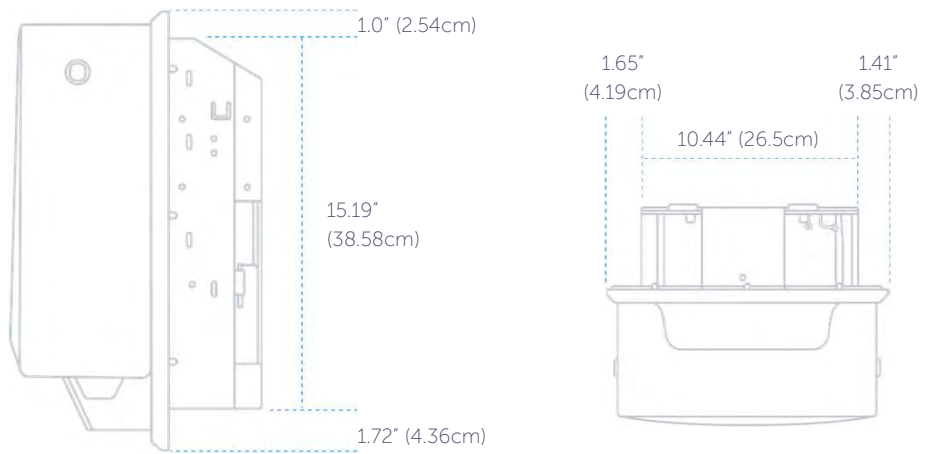
Suggested mounting height is 48" (122cm) from the floor.

When installed properly and used with the corresponding product, this dispenser meets ADA Standard 28 CFR Part 36, local rules may vary.

**Rough Wall Opening**

11" (28cm) Wide  
 15" (38cm) High  
 4" (10cm) Minimum Depth

ADA Compliant \*



PRODUCT FEATURES

- Precision detection from patented dual sensors provides effortless operation with a single motion.
- With practically noiseless operation, ICON™ hand towel dispenser is 85% quieter than the leading competition.<sup>1</sup>
- LED lights communicate when a unit needs attention, minimizing touchpoints for an improved experience.
- Proven 99.99% jam-free performance to ensure paper towels are available when needed.
- Stub roll capability enables restocking before the roll is empty, streamlining maintenance.

- Long-lasting battery life, single set of batteries can last for more than 150,000 dispenses<sup>2</sup>
- Versatile security options of keyed or keyless entry, and the choice of left or right lock location for easier access.
- Sophisticated dampened hinges make changeouts effortless, with smooth, one-handed operation.
- Color-coded system simplifies maintenance and minimizes touchpoints, for a more hygienic paper towel change-over.
- Three sheet length settings, and two sensor sensitivity settings



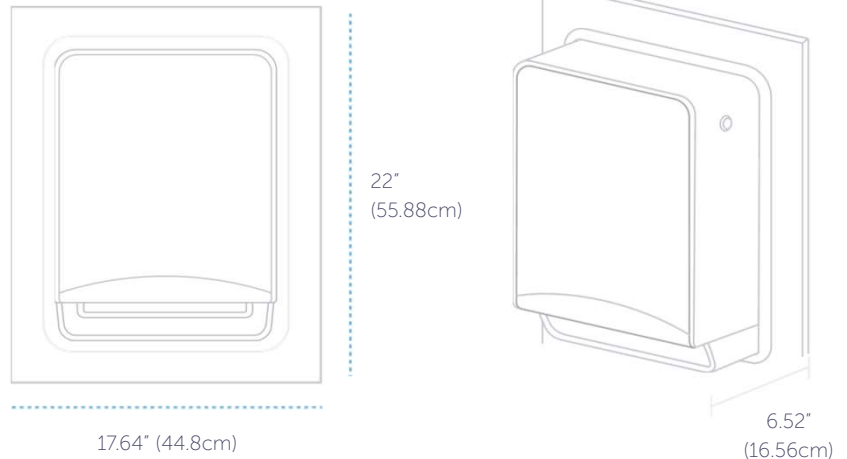
OVERVIEW

ICON™ Automatic Roll Towel Dispenser | Recessed with Trim

**Dimensions (WxHxD)**      **Qty/Case**  
 17.64" x 22" x 6.52"      1x  
 44.8cm x 55.88cm, 16.56cm

● Stainless Steel (53699)

Lifetime Warranty †



MOUNTING SPECIFICATIONS

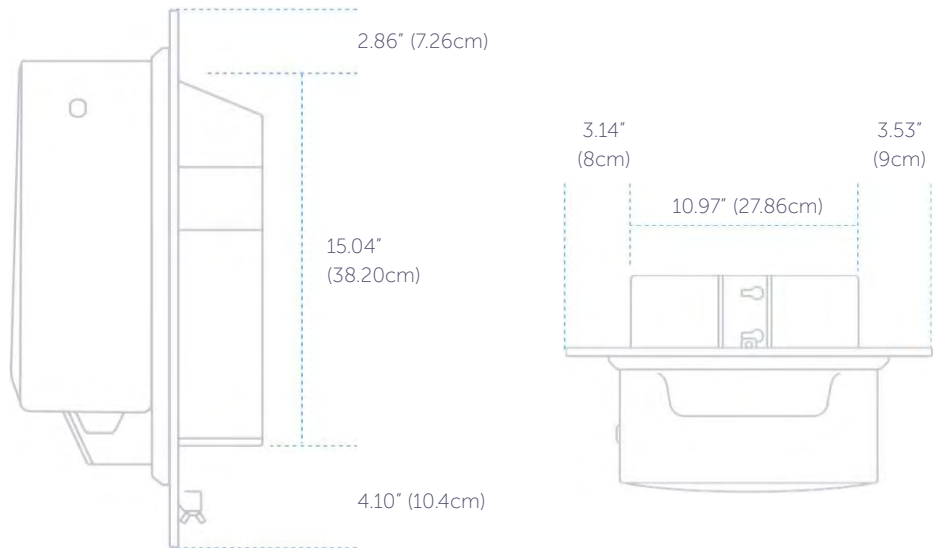
Suggested mounting height is 48" (122cm) from the floor.

When installed properly and used with the corresponding product, this dispenser meets ADA Standard 28 CFR Part 36, local rules may vary.

**Rough Wall Opening**

11" (28cm) Wide  
 15" (38cm) High  
 4" (10cm) Minimum Depth

ADA Compliant \*



PRODUCT FEATURES

- Precision detection from patented dual sensors provides effortless operation with a single motion.
- With practically noiseless operation, ICON™ hand towel dispenser is 85% quieter than the leading competition.<sup>1</sup>
- LED lights communicate when a unit needs attention, minimizing touchpoints for an improved experience.
- Proven 99.99% jam-free performance to ensure paper towels are available when needed.<sup>3</sup>
- Stub roll capability enables restocking before the roll is empty, streamlining maintenance.

- Long-lasting battery life, single set of batteries can last for more than 150,000 dispenses<sup>2</sup>
- Versatile security options of keyed or keyless entry, and the choice of left or right lock location for easier access.
- Sophisticated dampened hinges make changeouts effortless, with smooth, one-handed operation.
- Color-coded system simplifies maintenance and minimizes touchpoints, for a more hygienic paper towel change-over.
- Three sheet length settings, and two sensor sensitivity settings



ICON™ COLLECTION

# Hard Roll Towels

To learn more about bundles, please contact your Kimberly-Clark Professional Sales Representative or visit [www.KCProfessional.com](http://www.KCProfessional.com)



- ECOLOGO® Certified for reduced environmental impact
- FSC® Certified
- Meets EPA Guidelines, minimum post-consumer waste content: towels 40%
- NSF® Registered

STANDARD <span style="float: right;">✔✔✔</span>	PLUS <span style="float: right;">✔✔✔</span>	PREMIUM <span style="float: right;">✔✔✔</span>
<p>There are currently no standard offerings for this unit.</p>	<div data-bbox="617 1008 706 1066"> </div> <div data-bbox="612 1087 727 1140"> <p>Scott® Pro Roll Towels</p> </div> <div data-bbox="612 1146 677 1173"> <p>53925</p> </div> <div data-bbox="625 1186 787 1249" style="border: 1px solid gray; padding: 5px; width: fit-content; margin: 0 auto;"> <p>700' per roll</p> </div> <div data-bbox="617 1260 722 1291"> </div> <div data-bbox="617 1333 706 1392"> </div> <div data-bbox="612 1407 815 1459"> <p>Scott® Pro High Capacity Roll Towels</p> </div> <div data-bbox="612 1465 677 1493"> <p>25702</p> </div> <div data-bbox="625 1505 787 1568" style="border: 1px solid gray; padding: 5px; width: fit-content; margin: 0 auto;"> <p>1150' per roll</p> </div> <div data-bbox="617 1585 722 1617"> </div> <div data-bbox="617 1648 706 1707"> </div> <div data-bbox="612 1726 727 1778"> <p>Scott® Pro Roll Towels</p> </div> <div data-bbox="612 1785 677 1812"> <p>43959</p> </div> <div data-bbox="625 1824 787 1887" style="border: 1px solid gray; padding: 5px; width: fit-content; margin: 0 auto;"> <p>900' per roll</p> </div> <div data-bbox="617 1900 641 1932"> </div>	<div data-bbox="1079 1008 1209 1066"> </div> <div data-bbox="1075 1079 1196 1129"> <p>Kleenex® Roll Towels</p> </div> <div data-bbox="1075 1136 1144 1163"> <p>25637</p> </div> <div data-bbox="1088 1176 1250 1239" style="border: 1px solid gray; padding: 5px; width: fit-content; margin: 0 auto;"> <p>700' per roll</p> </div> <div data-bbox="1079 1260 1169 1291"> </div> <div data-bbox="1079 1333 1209 1392"> </div> <div data-bbox="1075 1398 1252 1449"> <p>Kleenex® 2-Ply Roll Towels</p> </div> <div data-bbox="1075 1455 1144 1482"> <p>54471</p> </div> <div data-bbox="1088 1495 1250 1558" style="border: 1px solid gray; padding: 5px; width: fit-content; margin: 0 auto;"> <p>500' per roll</p> </div> <div data-bbox="1079 1575 1112 1606"> </div>



ICON™



† Kimberly-Clark warrants that its products (1) comply with K-C's standard specifications as of the delivery date to K-C's authorized distributors/direct purchasers (2) comply with all K-C labeling representations; and (3) are manufactured in compliance with all applicable federal, state, and local laws in effect at the time and place of manufacture of the products. THIS WARRANTY IS IN LIEU OF ALL OTHER WARRANTIES, EXPRESSOR IMPLIED, INCLUDING ANY WARRANTY OF MERCHANTABILITY OR FITNESS FOR A PARTICULAR PURPOSE. K-C is not liable for any kind of special, incidental, or consequential damages. K-C's liability for breach of contract, tort or other cause of action shall not exceed the product purchase price. Purchasers and users are deemed to have accepted the above warranty and limitation of liability, and cannot change the terms by verbal agreement or by any writing not signed by K-C. To the extent required by applicable law, K-C does not limit its liability for death/injury resulting from K-C's negligence.

\*For paper towel and Skincare dispensers, suggested mounting height is 48" from the floor or 12" above a counter to the bottom of the dispenser. When installed properly and used with the corresponding product, this dispenser meets ADA Standard 28 CFR Part 36, local rules may vary. For toilet paper dispensers, suggested mounting height for the outlet of the dispenser is 15" minimum and 48" maximum above the floor. Mount the toilet paper dispensers to be 7 inches minimum and 9 inches maximum in front of the water closet measured to the center line of the dispenser. When installed properly and used with corresponding product, this dispenser meets ADA Standard 28 CFR Part 36, local rules may vary.

®/™ Trademarks of Kimberly-Clark Worldwide, Inc. or its affiliates. Marques de commerce de Kimberly-Clark Worldwide, Inc. ou de ses sociétés affiliées. © KCWW. 2022

**BradyPLUS**

DISTRIBUTED BY BRADYPLUS  
BradyPLUS.com + (877) 788-7587